

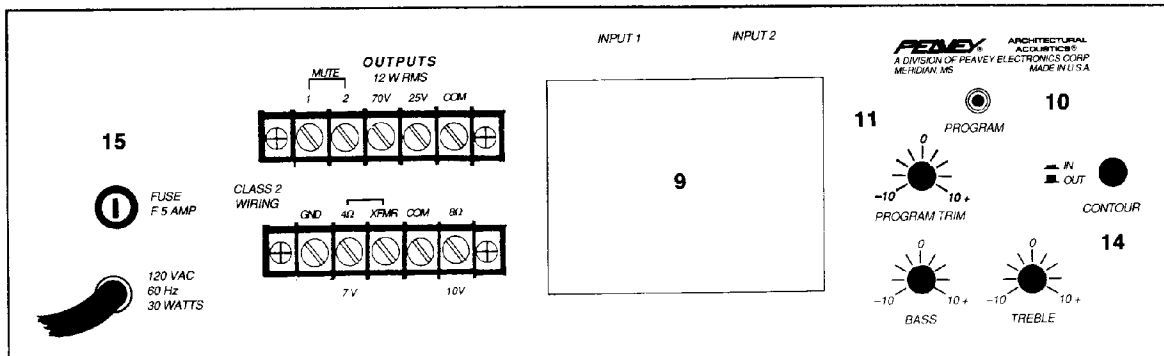
# MA<sup>™</sup> 212T

## 3 Channel Mixer Power Amplifier

# OPERATING GUIDE

**PEAVEY<sup>®</sup>**  
ARCHITECTURAL ACOUSTICS<sup>®</sup>





#### Mute (7)

Plug-in modules are available with muting function. The mute line may be activated with an external switch at this point.

#### Outputs (8)

A direct output, as well as several transformer outputs, are provided to allow the proper interface between the amplifier and the speaker system. The direct output allows direct connection to a 4 ohm speaker system. To use this output, disconnect the jumper between the OUT terminal and the XFMR terminal. Connect the speaker (or speakers) from the GND terminal to the 4 ohm terminal.

8 ohm, 25 volt and 70 volt outputs are also provided. To use these outputs, the jumper between 4 ohm and XFMR must be installed. For 8 ohm speaker systems, connect between the COM terminal and the 8 ohm terminal.

25V and 70V outputs are also provided for "constant voltage" speaker distribution systems. The 25V output connection is between the COM terminal and the 25V terminal. The 70V output connection is between the COM terminal and the 70V terminal.

#### Module Input Ports (9)

Accepts plug-in modules for both channels. Modules are optional and should be selected by installation requirement.

**NOTE:** All modules will function in either of the two ports.

#### Program In (10)

Accepts signals from other sources such as another mixer or mixer amplifier. Signal level at this input is controlled by the Program level control and is fed to the Master output. The program in may be regarded as channel "three" without plug-in module capability. **NOTE:** This input is muted whenever the mute line is grounded.

#### Program Trim (11)

Adjusts the program input sensitivity pre (before the) program level control.

#### Low EQ Control (Bass) (12)

Active equalization control that adjusts the low frequency response. Clockwise rotation boosts lows while counterclockwise rotation provides a cut (reduction) of the low frequencies ( $\pm 10$  dB). (Functional on channel 1 and program.)

#### High EQ Control (Treble) (13)

Active equalization control that adjusts the high frequency response. Clockwise rotation boosts highs while counterclockwise rotation provides a cut (reduction) of the high frequencies ( $\pm 10$  dB). (Functional on channel 1 and program.)

#### Contour Switch (14)

The "in" position of this switch provides 6 dB boost at 100 Hz and 6 dB boost at 10 kHz. The "out" position removes boost from the system. (Functional on channel 1 and program.)

#### Fuse (15)

Replace with the same size and rating.

#### Power Cord (16)

Connect to 120V AC power source.

## SPECIFICATIONS:

### Output Power:

12 watts RMS

### Power Bandwidth:

50 Hz - 20 kHz, 2% THD

60 Hz - 20 kHz, 1% THD

### Frequency Response:

40 Hz - 20 kHz  $\pm 1$  dB

### THD

0.25% @ 1 kHz, rated power

0.10% @ 1 kHz, 11 watts output power

### S/N Ratio

#### (20 kHz bandwidth):

Master volume minimum

100 dB

Master volume maximum

78 dB

### Tone Controls:

#### (Input 1 and PGM in only)

Bass  $\pm 10$  dB @ 100 Hz

Treble  $\pm 10$  dB @ 10 kHz

### Contour:

#### (Input 1 and PGM in only)

+6 dB @ 100 Hz

+6 dB @ 10 kHz

### Inputs:

Two input ports, each accepts any input/output module; one dedicated program input

### Input Sensitivity:

Ports 1-2: 100 mV @ 10 K ohms

Program In: 100 mV @ 50 K ohms

### Outputs:

Direct Out: 4 ohms

Transformer: 8 ohms, 25V, 70V (balanced)

### Output Regulation:

Less than 0.5 dB, no load to full load

### Controls:

3 input gain controls, 1 bass control, 1 treble control,

1 contour switch, 1 program gain limit control,

1 master gain control, 1 power switch

### Indicators:

Power LED, bicolor (green/red) status LED

### Protection:

Built-in, with AC Line fuse (external)

### Connectors:

PGM input — RCA phono jack

Ports 1-2 — Card edge connector

Outputs — Screw terminals

Mute — Screw terminals

AC line cord — SJT, 3 prong

### Power Consumption

120 volts AC, 60 Hz, 30 watts

### Dimensions

3.50" (H) x 12.00" (W) x 9.5" (D)

### Weight:

9 lbs.

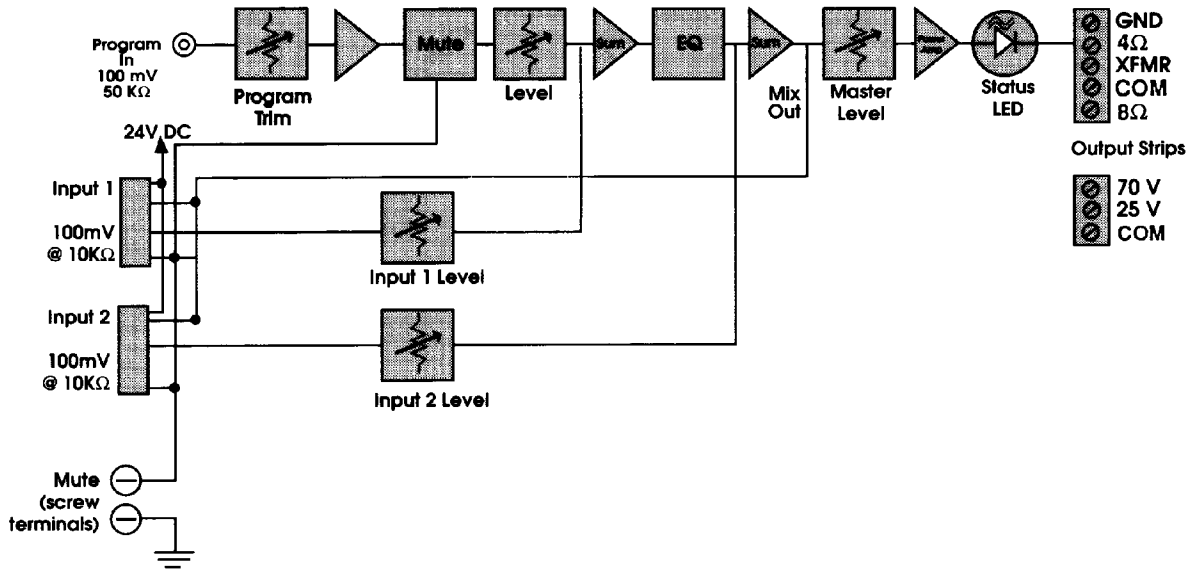
### Color:

Gray

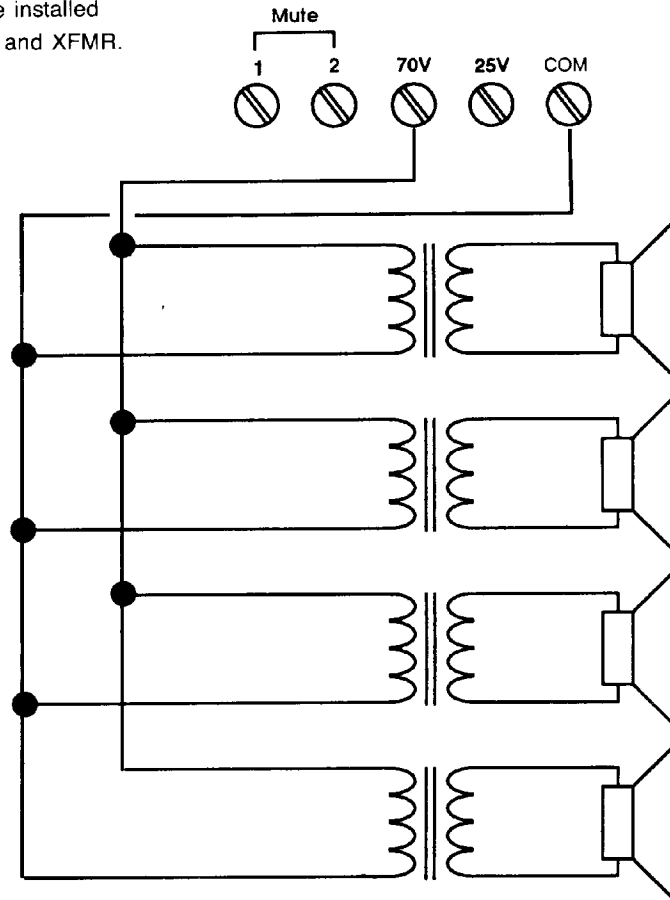
### Other Features:

Inputs 1-2 and Program muted simultaneously

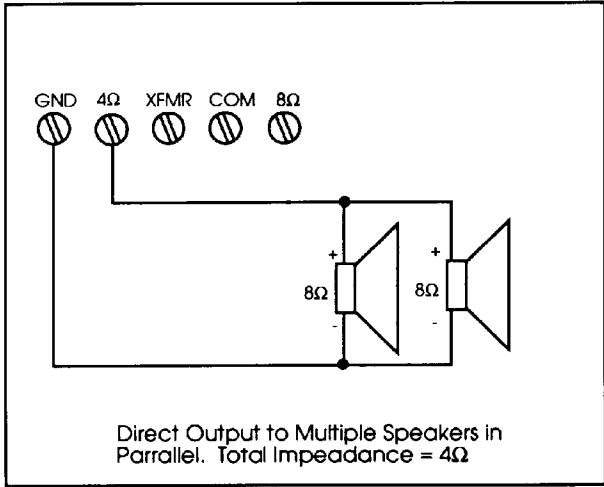
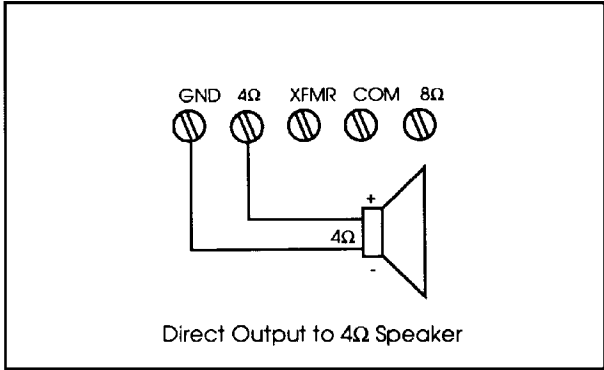
# Block Diagram



NOTE: Jumper must be installed between 4 ohm and XFMR.



70 V "Constant Voltage" Distribution System



## LIMITED WARRANTY

Peavey Electronics Corporation warrants to the original purchaser of this new Architectural Acoustics product that it is free from defects in material and workmanship. If within one (1) year from date of purchase a properly installed product proves to be defective and Peavey is notified, Peavey will repair or replace it at no charge. (Note: Batteries and patch cords not covered.) "Original purchaser" means the customer for whom the product is originally installed.

Damage resulting from improper installation, interconnection of a unit or system of another manufacturer, accident or unreasonable use, neglect or any other cause not arising from defects in material and workmanship is not covered by this warranty. The warranty is valid only as to products purchased and installed in the United States.

**THIS LIMITED WARRANTY IS IN LIEU OF ANY AND ALL WARRANTIES, EXPRESSED OR IMPLIED, INCLUDING THE IMPLIED WARRANTIES OF MERCHANTABILITY AND FITNESS FOR A PARTICULAR USE. UNDER NO CIRCUMSTANCES WILL PEAVEY BE LIABLE FOR ANY LOST PROFITS, LOST SAVINGS, INCIDENTAL DAMAGES OR CONSEQUENTIAL DAMAGES ARISING OUT OF THE USE OR INABILITY TO USE THE PRODUCT, EVEN IF PEAVEY HAS BEEN ADVISED OF THE POSSIBILITY OF SUCH DAMAGE. THIS LIMITED WARRANTY IS THE ONLY EXPRESSED WARRANTY ON THIS PRODUCT, AND NO OTHER STATEMENT, REPRESENTATION, WARRANTY, OR AGREEMENT BY ANY PERSON SHALL BE VALID OR BINDING UPON PEAVEY.**

Peavey's liability to the original purchaser for damages for any cause whatsoever and regardless of the form of action, is limited to the actual damages up to the greater of Five Hundred Dollars (\$500) or an amount equal to the purchase price of the product that caused the damage or that is the subject of or is directly related to the cause of action. This limitation of liability will not apply to claims for personal injury or damage to real property or tangible personal property allegedly caused by Peavey's negligence. For information on service under this warranty, call a Peavey customer service representative at (601) 483-5376.

**DANGER**

EXPOSURE TO EXTREMELY HIGH NOISE LEVELS MAY CAUSE A PERMANENT HEARING LOSS. INDIVIDUALS VARY CONSIDERABLY IN SUSCEPTIBILITY TO NOISE INDUCED HEARING LOSS, BUT NEARLY EVERYONE WILL LOSE SOME HEARING IF EXPOSED TO SUFFICIENTLY INTENSE NOISE FOR A SUFFICIENT TIME.

THE U.S. GOVERNMENT'S OCCUPATIONAL SAFETY AND HEALTH ADMINISTRATION (OSHA) HAS SPECIFIED THE FOLLOWING PERMISSIBLE NOISE LEVEL EXPOSURES

DURATION PER DAY IN HOURS	SOUND LEVEL, dBA, SLOW RESPONSE
8	90
6	92
4	95
3	97
2	100
1 1/2	102
1	105
7/8	110
1/2 or less	115

ACCORDING TO OSHA, ANY EXPOSURE IN EXCESS OF THE ABOVE PERMISSIBLE LIMITS COULD RESULT IN SOME HEARING LOSS.

EAR PLUGS OR EARPLUGS IN THE EAR CANALS OR OVER THE EARS MUST BE WORN WHEN OPERATING THIS AMPLIFICATION SYSTEM IN EXCESS OF THE ABOVE PERMISSIBLE NOISE LEVELS. IT IS RECOMMENDED THAT ALL PERSONS EXPOSED TO EQUIPMENT CAPABLE OF PRODUCING HIGH SOUND PRESSURE LEVELS SUCH AS THIS AMPLIFICATION SYSTEM SHOULD WEAR PROTECTIVE HEARING PROTECTION WHILE THE UNIT IS IN OPERATION.

**CAUTION**

THIS AMPLIFIER HAS BEEN DESIGNED AND CONSTRUCTED TO PROVIDE ADEQUATE POWER RESERVE FOR PLAYING MODERATE MUSIC WHICH MAY REQUIRE OCCASIONAL PEAK POWER. HANDLE OCCASIONAL PEAK POWER ADEQUATELY. "HEADROOM" HAS BEEN DESIGNED INTO THIS SYSTEM FOR UNDESIRED OPERATION AT ABOVE THE MAXIMUM POWER LEVELS, BUT PRECAUTIONS SINCE THIS COULD DAMAGE THE ASSOCIATED LOUDSPEAKER SYSTEM, PLEASE BE AWARE THAT MAXIMUM POWER CAN BE OBTAINED WITH VERY LOW SETTINGS OF THE GAIN CONTROL IF THE INPUT SIGNAL IS VERY STRONG.

1. Read all safety and operating instructions before using this product.
2. All safety and operating instructions should be retained for future reference.
3. Obey all cautions in the operating instructions and on the back of the unit.
4. All operating instructions should be followed.
5. This product should not be used near water, i.e. a bathtub, sink, swimming pool, wet basement, etc.
6. This product should be located so that its position does not interfere with its proper ventilation. It should not be placed flat against a wall or placed in a built-in enclosure that will impede the flow of cooling air.
7. This product should not be placed near a source of heat such as a stove, radiator or another heat producing amplifier.
8. Connect only the power supply of the type marked directly on the power supply cord.
9. Always unplug the ground pin of the power supply lead. For more information on grounding write for our free booklet "Shock Hazard and Grounding."
10. Power supply cords should always be handled carefully. Never walk or place equipment on power supply cords. Periodically check cords for cuts or signs of stress, especially at the plug and the point where the cord exits the unit.
11. The power supply cord should be unplugged when the unit is to be unused for long periods of time.
12. If this product is to be mounted in an equipment rack, rear support should be provided.
13. Internal parts can be cleaned with a damp rag. Do not use any cleaning agents or solvents on the unit. Do not use ammonia based household cleaner, if necessary.
14. Care should be taken so that objects do not fall and liquids are not spilled into the unit through the ventilation holes or any other openings.
15. This unit should be checked by a qualified service technician if:
  - A. The power supply cord or plug has been damaged
  - B. Anything has fallen or been spilled into the unit.
  - C. The unit does not operate correctly.
  - D. The unit has been dropped or the enclosure damaged.
16. The user should not attempt to service this equipment. All service work should be done by a qualified service technician.



**PEAVEY**<sup>®</sup>  
ARCHITECTURAL ACOUSTICS<sup>®</sup>

Features and specifications subject to change without notice.

A Division of **Peavey Electronics Corporation**

711 A Street, P. O. Box 2898, Meridian, MS 39302-2898 / (601) 483-5376 / Telex 504115 / Fax (601) 484-4278

#80301536

Printed in U.S.A. 12/92

©1992